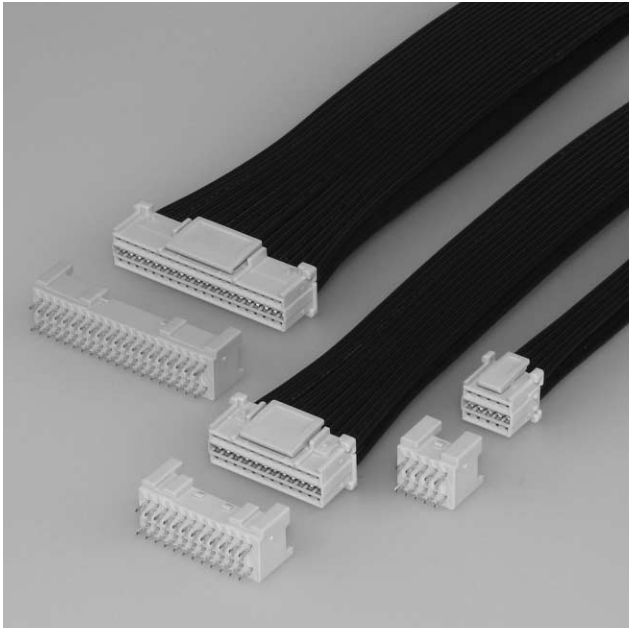
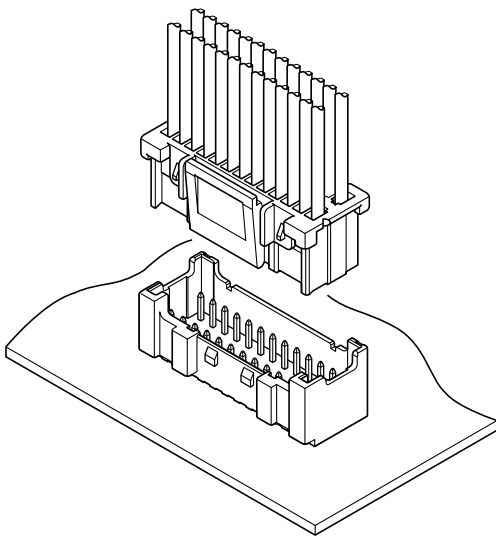


PND CONNECTOR

Disconnectable Crimp style connectors



Responding to the needs of market, the high-density dipping type connector with secure lock for wire to board connection is newly developed and enabled to achieve excellent workability and withstand the unexpected external force.



Features

• **Excellent workability (Low insertion force)**

As compared with our existing PAD connector, approx. 15% of low insertion force is realized. As the edges of housing are chamfered roundly, a finger-friendly, insertion-easy, lock releasing-easy and extraction-easy connector is provided.

• **Withstanding external force and secure locking device**

Header has four shrouded high walls and secure locking device, and by these synergistic effects it is thoroughgoing to unexpected external force due to prying or the routing of wires during assembly process.

• **Countermeasure for inverse insertion and mismatching insertion**

Providing mating key for each circuit-numbers, neither inverse insertion nor mismatching insertion occurs completely.

• **High density**

Designing in consideration of solder bridge, this dipping type 2.0mm (.079") pitch dual-row {5.0mm (.197") pitch between rows} construction allows the high-density mounting and it already corresponds to lead-free requirement.

• **Polarizing boss**

Headers with polarizing bosses are also available to prevent incorrect assembling to PC board.

Specifications

- Current rating: 3A AC, DC (AWG #22)
- Voltage rating: 250V AC, DC
- Temperature range: -25°C to +85°C
(including temperature rise in applying electrical current)
- Contact resistance: Initial value/10m Ω max.
After environmental testing/20m Ω max.
- Insulation resistance: 1,000M Ω min.
- Withstanding voltage: 800V AC/minute
- Applicable wire: AWG #28 to #22
- * Refer to "General Instruction and Notice when using Terminals and Connectors" at the end of this catalog.
- * Contact JST for details.

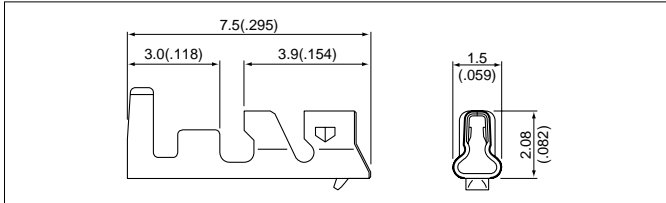
Standards

Ⓜ Recognized E60389

Ⓢ Certified LR20812

PND CONNECTOR

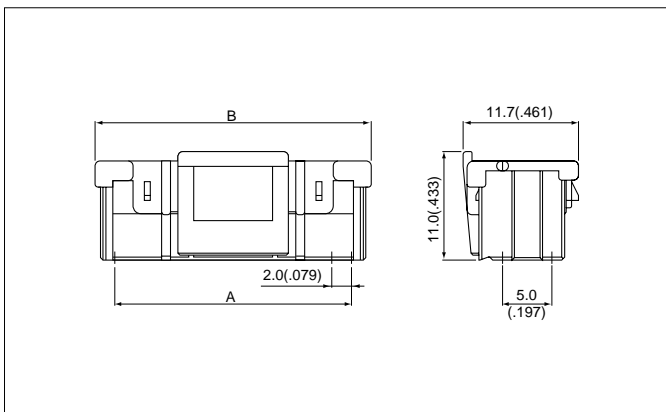
Contact



Model No.	Applicable wire		Insulation O.D. mm(in.)	Q'ty / reel
	mm ²	AWG #		
SPND-001T-C0.5	0.13 to 0.33	26 to 22	1.0 to 1.5(.039 to .059)	8,000
SPND-002T-C0.5	0.08 to 0.22	28 to 24	0.8 to 1.5(.031 to .059)	8,000

Material and Finish
Copper alloy, tin-plated

Housing



Circuits	Model No.	Dimensions mm(in.)		Q'ty / bag
		A	B	
8	PNDP-08V-Z	6.0(.236)	10.0(.394)	500
10	PNDP-10V-Z	8.0(.315)	12.0(.472)	500
12	PNDP-12V-Z	10.0(.394)	14.0(.551)	500
14	PNDP-14V-Z	12.0(.472)	16.0(.630)	500
16	PNDP-16V-Z	14.0(.551)	18.0(.709)	300
18	PNDP-18V-Z	16.0(.630)	20.0(.787)	300
20	PNDP-20V-Z	18.0(.709)	22.0(.866)	300
22	PNDP-22V-Z	20.0(.787)	24.0(.945)	300
24	PNDP-24V-Z	22.0(.866)	26.0(1.024)	250
26	PNDP-26V-Z	24.0(.945)	28.0(1.102)	250
28	PNDP-28V-Z	26.0(1.024)	30.0(1.181)	250
30	PNDP-30V-Z	28.0(1.102)	32.0(1.260)	150
32	PNDP-32V-Z	30.0(1.181)	34.0(1.339)	150
34	PNDP-34V-Z	32.0(1.260)	36.0(1.417)	150
36	PNDP-36V-Z	34.0(1.339)	38.0(1.496)	100
38	PNDP-38V-Z	36.0(1.417)	40.0(1.575)	100
40	PNDP-40V-Z	38.0(1.496)	42.0(1.654)	100

Material

Nylon 66, UL94V-0, ivory

<For reference> As the color identification, the following alphabet shall be put in the underlined part. For availability, delivery and minimum order quantity, contact JST.

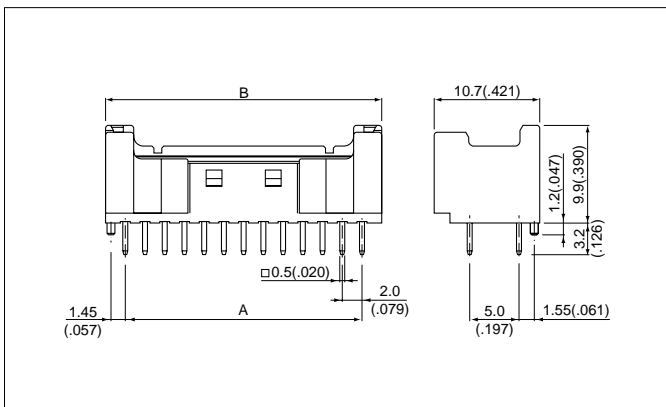
ex. **PNDP-28V-Z**

Z...ivory

K...black R...red E...blue M...green N...brown PK...pink

D...orange

Shrouded header



Circuits	Model No.		Dimensions mm(in.)		Q'ty / box
	With bosses	Without bosses	A	B	
8	B08B-PNDZS-1	B08B-PNDZS	6.0(.236)	10.0(.394)	736
10	B10B-PNDZS-1	B10B-PNDZS	8.0(.315)	12.0(.472)	608
12	B12B-PNDZS-1	B12B-PNDZS	10.0(.394)	14.0(.551)	512
14	B14B-PNDZS-1	B14B-PNDZS	12.0(.472)	16.0(.630)	448
16	B16B-PNDZS-1	B16B-PNDZS	14.0(.551)	18.0(.709)	416
18	B18B-PNDZS-1	B18B-PNDZS	16.0(.630)	20.0(.787)	352
20	B20B-PNDZS-1	B20B-PNDZS	18.0(.709)	22.0(.866)	320
22	B22B-PNDZS-1	B22B-PNDZS	20.0(.787)	24.0(.945)	288
24	B24B-PNDZS-1	B24B-PNDZS	22.0(.866)	26.0(1.024)	288
26	B26B-PNDZS-1	B26B-PNDZS	24.0(.945)	28.0(1.102)	256
28	B28B-PNDZS-1	B28B-PNDZS	26.0(1.024)	30.0(1.181)	224
30	B30B-PNDZS-1	B30B-PNDZS	28.0(1.102)	32.0(1.260)	224
32	B32B-PNDZS-1	B32B-PNDZS	30.0(1.181)	34.0(1.339)	192
34	B34B-PNDZS-1	B34B-PNDZS	32.0(1.260)	36.0(1.417)	192
36	B36B-PNDZS-1	B36B-PNDZS	34.0(1.339)	38.0(1.496)	192
38	B38B-PNDZS-1	B38B-PNDZS	36.0(1.417)	40.0(1.575)	160
40	B40B-PNDZS-1	B40B-PNDZS	38.0(1.496)	42.0(1.654)	160

Material and Finish

Post: Copper alloy, copper-undercoated, tin-plated
Wafer: Glass-filled nylon 66, UL94V-0, ivory

Note: The products listed above are corresponding to lead-free product.

<For reference> As the color identification, the following alphabet shall be put in the underlined part. For availability, delivery and minimum order quantity, contact JST.

ex. **B28B-PNDZS-1**

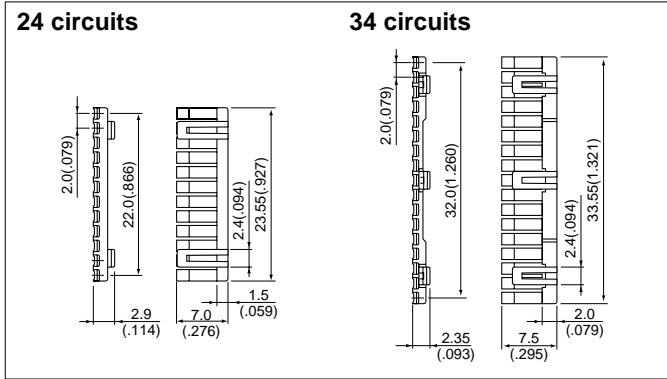
Z...ivory

K...black R...red E...blue M...green

N...brown PK...pink D...orange

PND CONNECTOR

Retainer

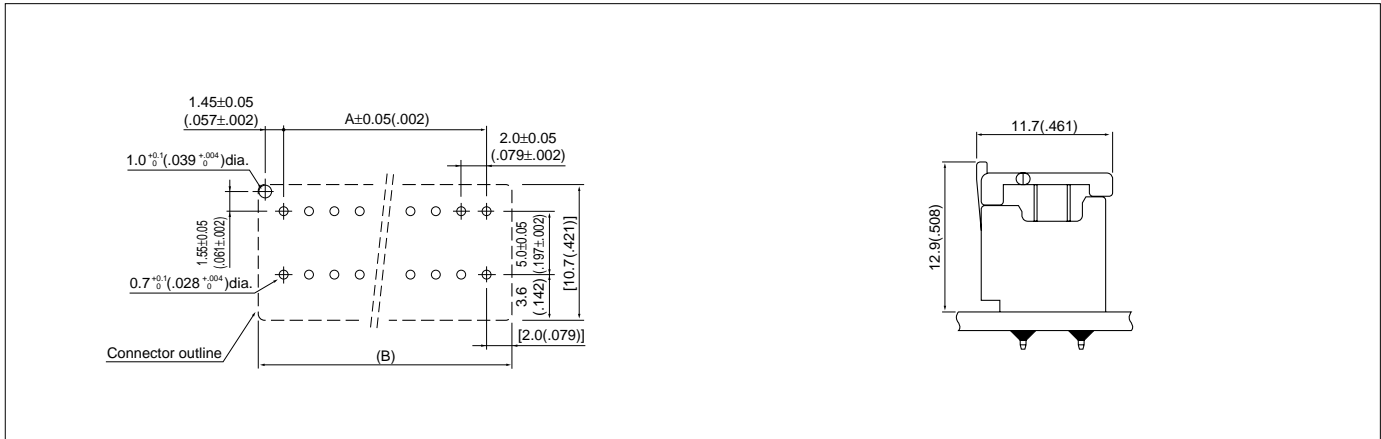


Circuits	Model No.	Q'ty / bag
24	PNDS-24V-Z	1,000
34	PNDS-34V-Z	1,000

Material
Glass-filled nylon 66, UL94V-0, ivory

Note: The products listed above are not UL/CSA approved.

PC board layout (viewed from component side) and Assembly layout



- Note:**
1. Tolerances are non-cumulative: $\pm 0.05\text{mm}$ (± 0.002 ") for all centers.
 2. Hole dimensions differ according to the kind of PC board and piercing method.
The dimensions above should serve as a guideline. Contact JST for details.

Applicator for the semi-automatic press AP-K2N

Contact	Crimp applicator MKS-L		Compact crimp applicator MKS-LS		Strip-crimp applicator MKS-SC
	with safety cover	without safety cover	with safety cover	without safety cover	with safety cover
SPND-001T-C0.5	APLMK SPND001-05	APLNC SPND001-05	APLMKLS SPND001-05	APLLSNC SPND001-05	-
SPND-002T-C0.5	APLMK SPAD/ND002-05	APLNC SPAD/ND002-05	APLMKLS SPAD/ND002-05	APLLSNC SPAD/ND002-05	-